

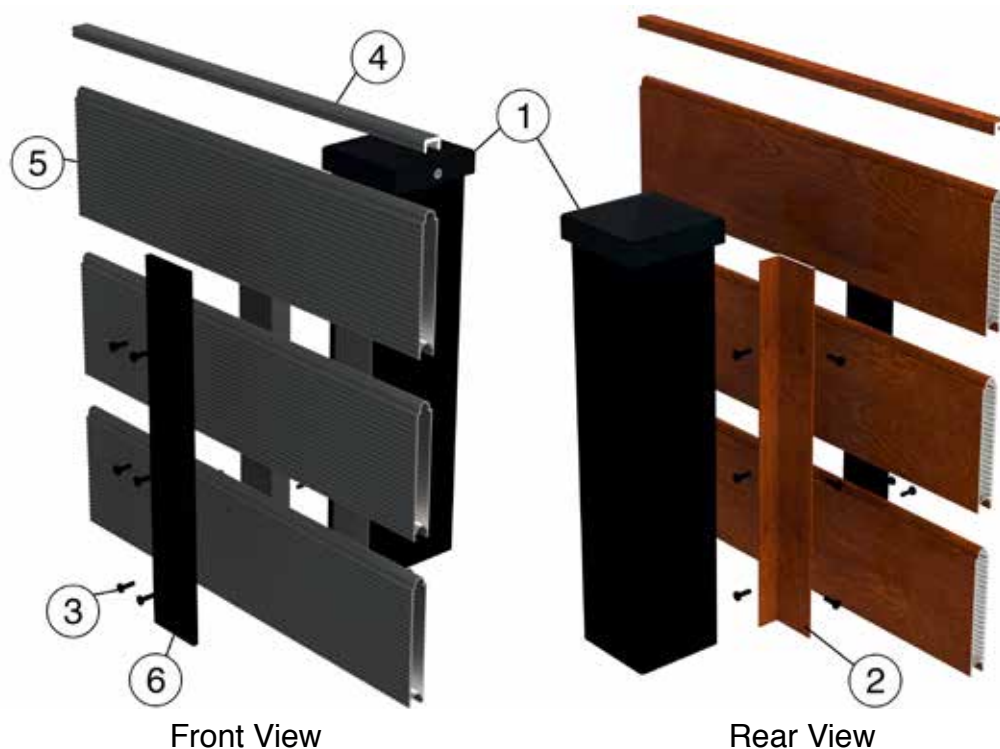
Stripe Installation Instructions



MARANO®

LIGHT · STYLE · VISION

Fully modular aluminium fencing system



ID	Description	Size mm	Colour	Code
1	Bolt-Down Post for 1.2m High Fence	1185 x 50.8 x 50.8	Black Gloss	76PB5012B
	Concrete-In Post for 1.2m High Fence	1750 x 50.8 x 50.8	Black Gloss	76PC5012B
	Bolt-Down Post for 1.8m High Fence	1870 x 76.2 x 76.2	Black Gloss	76PB7518B
2	Angle 1.5mm Thick	1100 x 40 x 20	RAL 9005 Black	76A001B12
			RAL 9005 Black	76A001B18
		1800 x 40 x 20	RAL 7012 Basalt Grey	76A001A18
			Golden Oak Wood Effect	76A001G18
3	Self Tapping Screws Panhead - Stainless Steel (x 200)	4.2 x 13	-	5004PS4213
	Screws for Fixing Boards (x100)	4.2 x 12	Black	76SS4212DB
4	6m Long Top Cap	-	RAL 7012 Basalt Grey	76S002TCA
			Golden Oak Wood Effect	76S002TCG
5	6m Long Double Sided Slats Smooth/Grooved	-	RAL 7012 Basalt Grey	76S002A
			Golden Oak Wood Effect	76S002G
6	5mm Thick Flat Bar	1800 x 50	Black Gloss	66FB50518

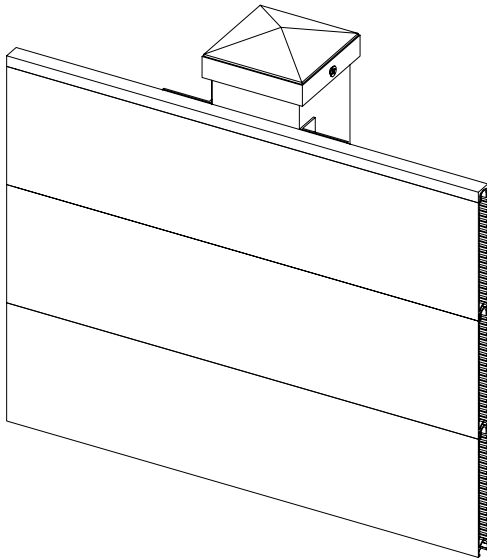
All components are aluminium unless otherwise stated.

Key:

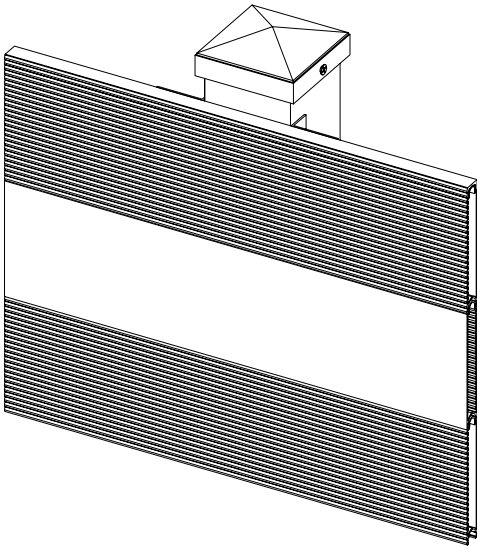
Description	Symbol	Information
Drill		You will need a crosshead M4 attachment
Aluminium Saw		Use a fine tooth aluminium saw with a clean, sharp blade when cutting posts or slats
Rubber mallet		For securing slats on top of each other and the top cap onto the last slat
Bolt-Down		4 x M12 bolts required to fix each bolt-down post
Concrete-In		Place 565-570mm into the ground. For further stability, we suggest inserting a galvanised steel tube Ø 26.9 x 300mm (cut from code: 160225) horizontally through the concrete pouring hole
Silicone		Use to secure top cap (76S002TCA/G) on to the top board (76S002A/G)

One Board, Three Different Looks

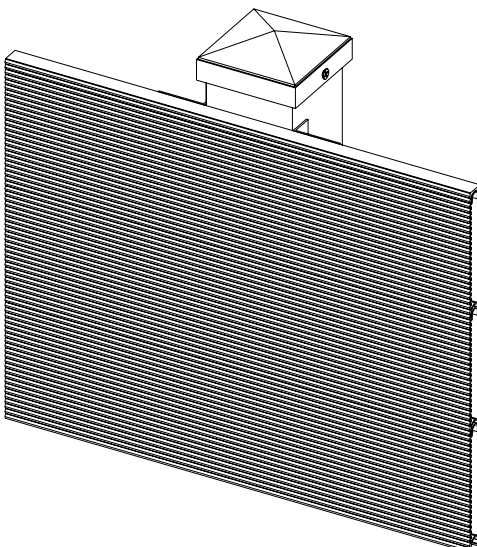
Our unique double-sided, Stripe fencing system can create three very different and stylish looks with a single board.



Smooth Board Finish

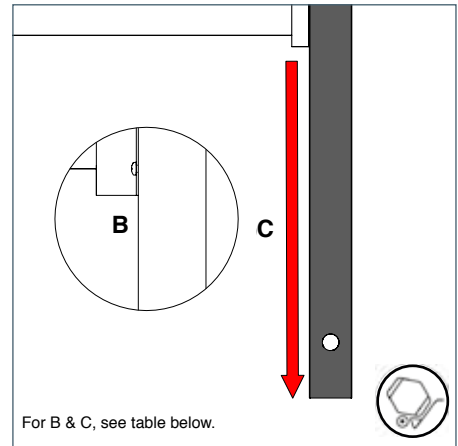
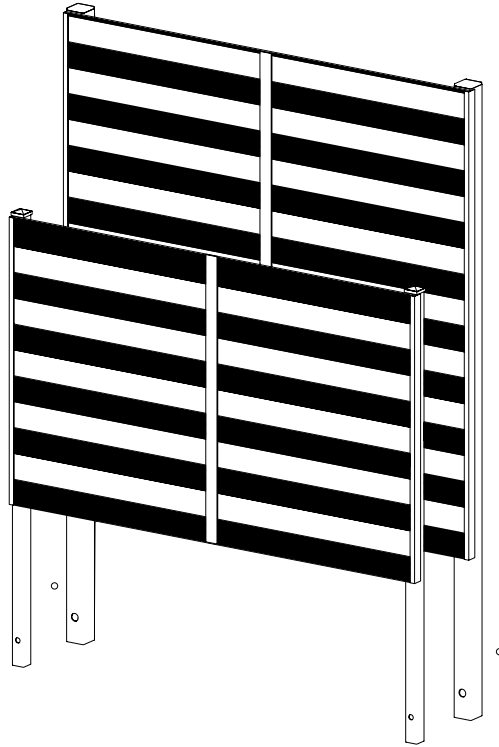


Alternate Board Finish



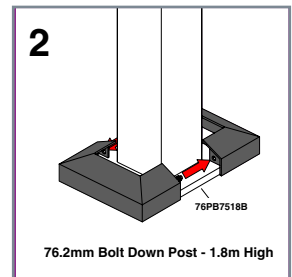
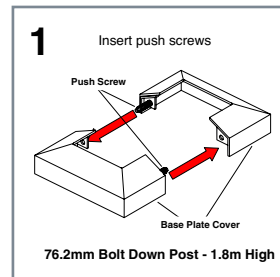
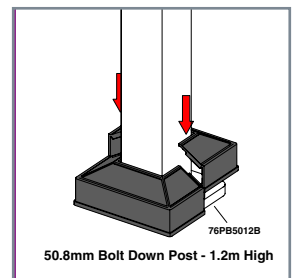
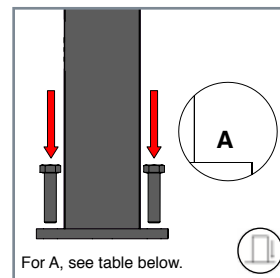
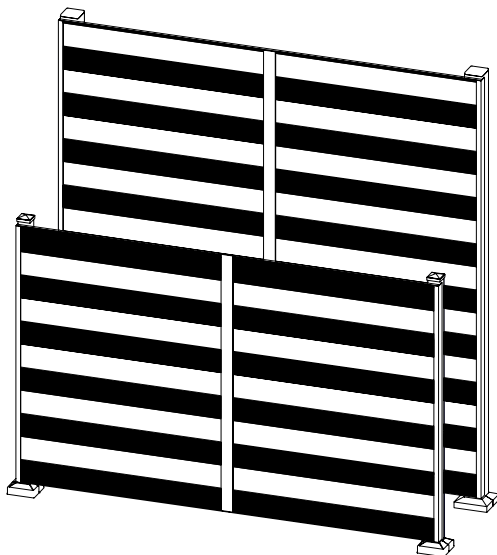
Ridged Board Finish

Concrete-In Posts



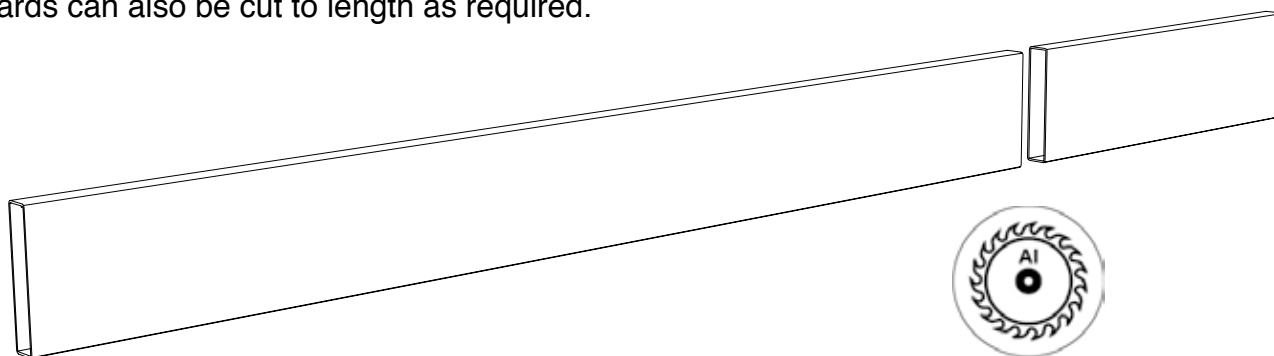
Fence Height m	Ground Clearance (B) mm	Concrete-In (C) mm	Post Size H x W x D mm	Code
1060	50	555	1750 x 50.8 x 50.8	76PC5012B
1860	50	555	2440 x 76.2 x 76.2	76PC7518B

Bolt-Down Posts

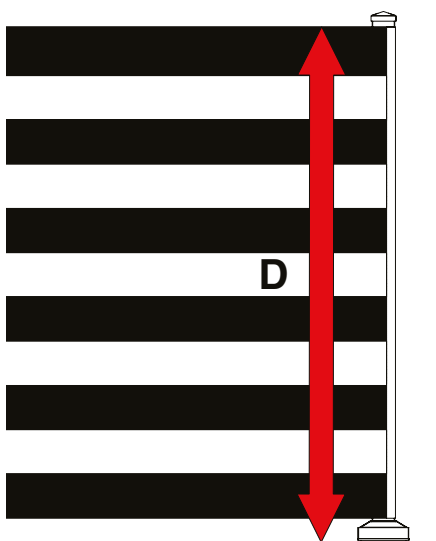


Fence Height m	Ground Clearance (A) mm	Post Size H x W x D mm	Code
1060	50	1155 x 50.8 x 50.8	76PB5012B
1860	50	1865 x 76.2 x 76.2	76PB7518B

Our 1.2 and 1.8m posts for the Marano Stripe system can be easily cut to size to suit your needs. Boards can also be cut to length as required.

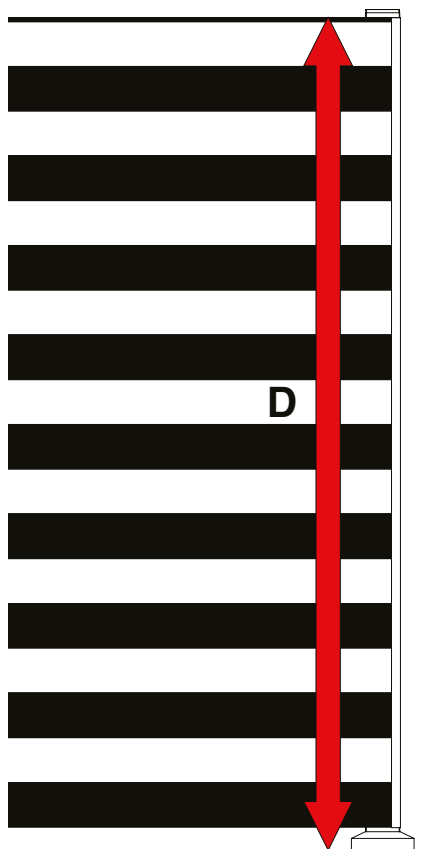


IMPORTANT: Please refer to the table below when determining fence height and gap between boards.



O/A Fence Height (D) mm	Ground Clearance mm	Number of Boards
960	50	9
1060	50	10

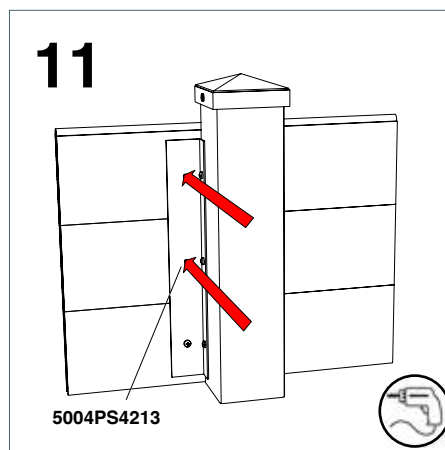
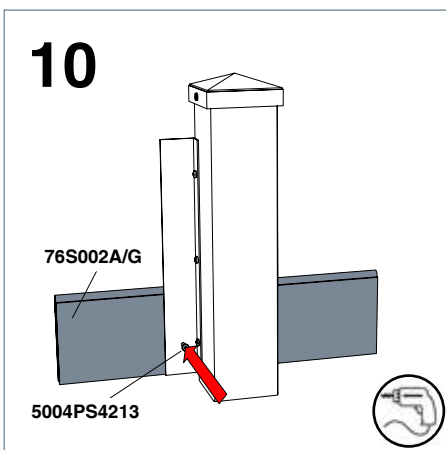
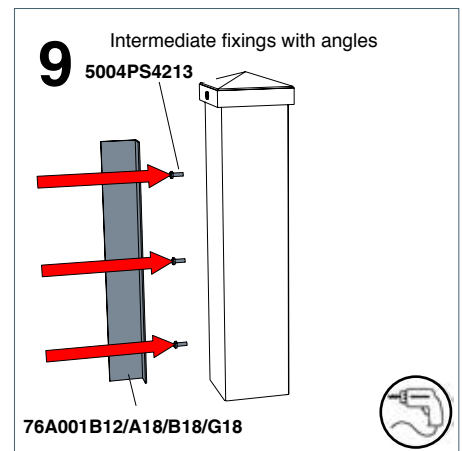
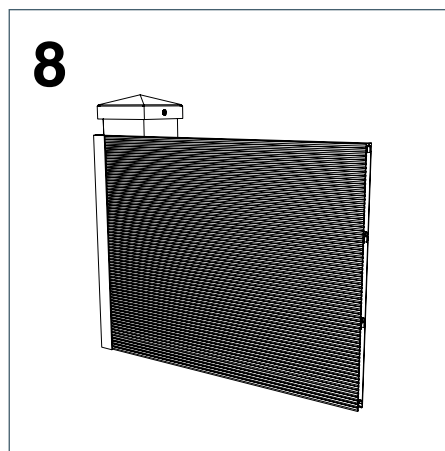
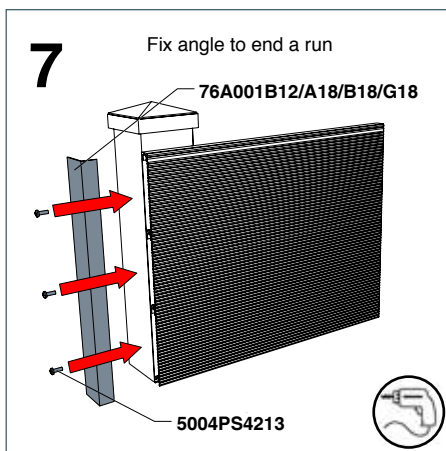
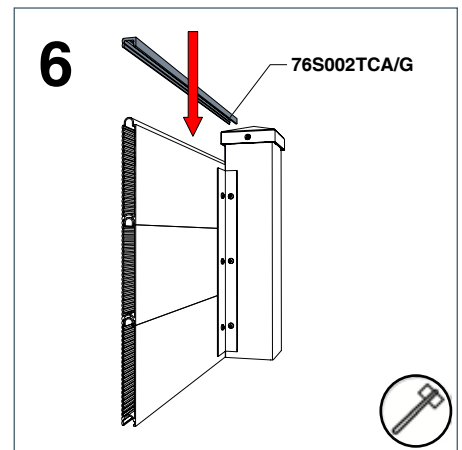
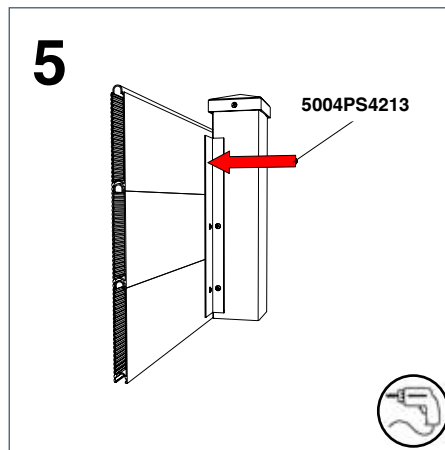
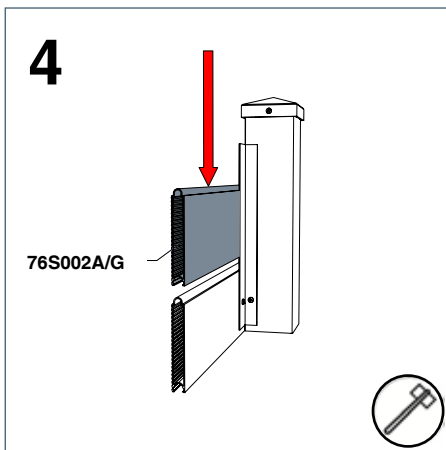
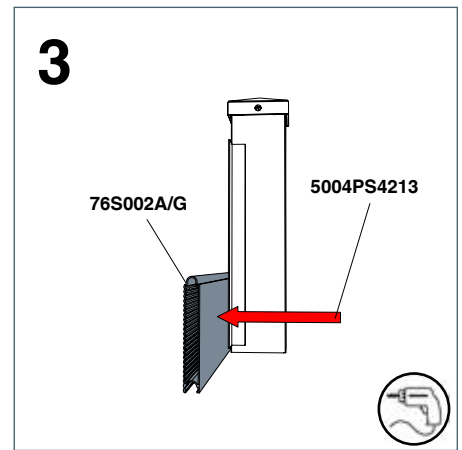
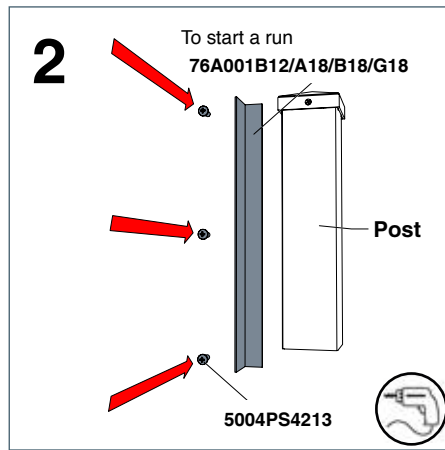
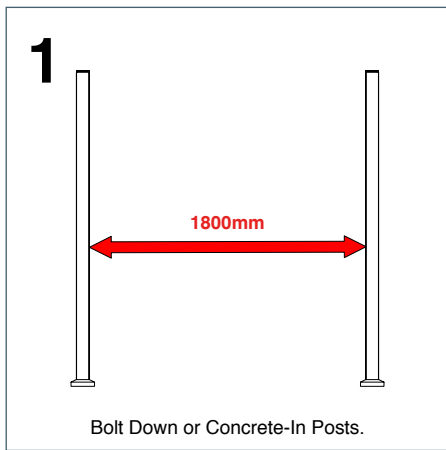
Bolt-down post for 1.2m high fence. Code: **76PB5012B**.
Concrete-in post for 1.2m high fence. Code: **76PC5012B**.



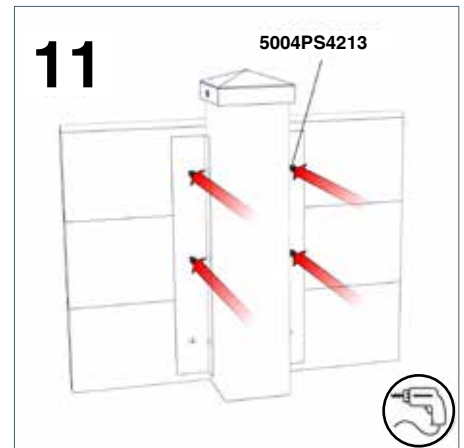
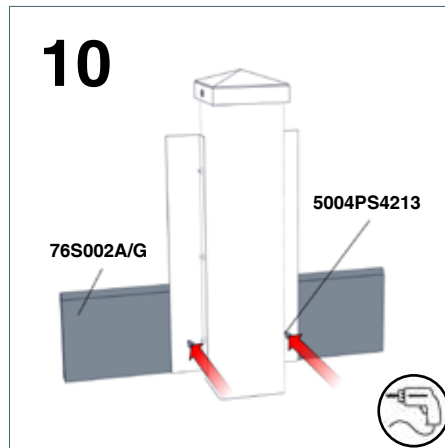
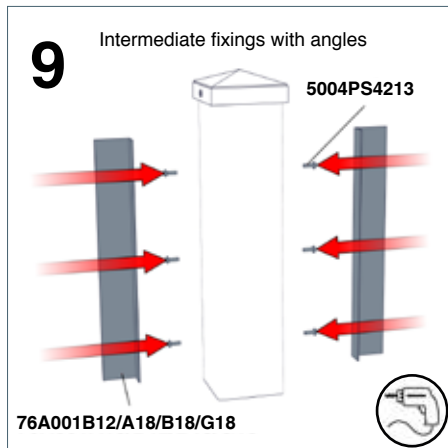
O/A Fence Height (D) mm	Ground Clearance mm	Number of Boards
1360	50	13
1460	50	14
1560	50	15
1660	50	16
1760	50	17

Bolt-down post for 1.8m high fence. Code: **76PB7518B**.
Concrete-in post for 1.8m high fence. Code: **76PC7518B**.

This system can also be fitted between brick pillars or wooden posts providing the width of the openings is correct.



Meeting Two Boards at Intermediate Post - continue from Step 8



Front View



Rear View

Please note: Post centre measurements are shown as a guide only. Whilst we do our best to advise and guide, it remains the installers responsibility to ensure the final installation complies with any current building regulations and is securely installed. As we have no knowledge of the location, ground type, or the layout of your system, we would always advise customers to consider these factors and adjust as appropriate.