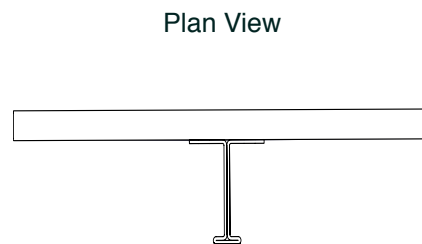
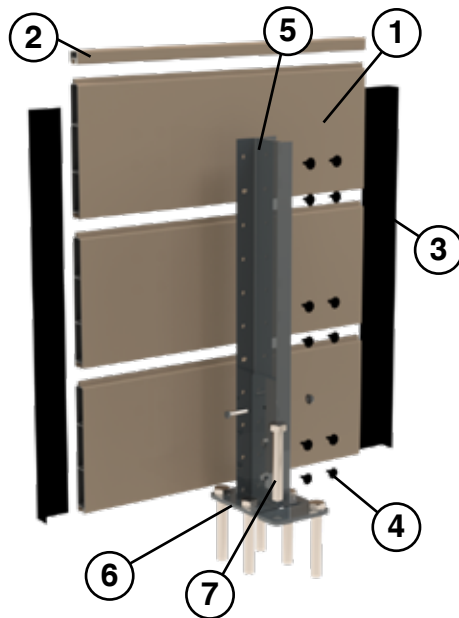







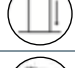
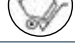
MARANO®

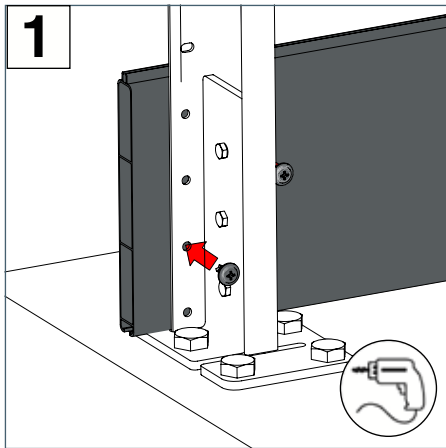
LIGHT · STYLE · VISION

Fully modular aluminium fencing system

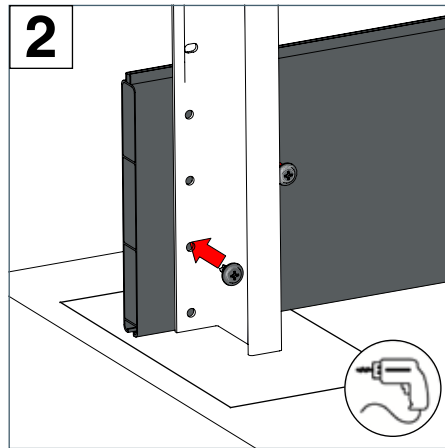


ID	Description	Size mm	Colour	Code
1	6m Long Aluminium Board	6000 x 150 x 15	Raw Finish	76S006R
			Basalt Grey RAL 7012	76S006A
			Oak Wood Effect	76S006O
			Serengeti Sand RAL 1019	76S006SS
			Light Sage RAL 7032	76S006LS
2	6m Long Top Cap	6000 x 9 x 15	Raw Finish	76S006TCR
			Basalt Grey RAL 7012	76S006TCA
			Oak Wood Effect	76S006TCO
			Serengeti Sand RAL 1019	76S006TCSS
			Light Sage RAL 7032	76S006TCLS
3	Marano Aluminium Angle - 1.8m Long	40 x 20 x 1.5	Basalt Grey RAL 7012	76A001A18
	Marano Aluminium Angle - 1.2m Long	40 x 20 x 1.5	Black RAL 9005	76A001B12
4	Screws for Fixing Boards - BZP (x 100)	4.2 x 12	Black Dacromet	76SS4212DB
5	1.8m Slimline Post for 1.2m (Concrete-In) and 1.2m (Bolt Down) Fence	1800 x 48 x 51	Anthracite Grey RAL 7016	76DP12iA
			Galvanized	76DP12i
	2.4m Slimline Post for 1.8m (Concrete-In)	2400 x 48 x 51	Anthracite Grey RAL 7016	76DP18iA
			Galvanized	76DP18i
6	Bolt Down Foot (with nuts and bolts). For use with a fence no higher than 1.2m	-	Anthracite Grey RAL 7016	76DPBA
			Galvanized	76DPB
7	Concrete Screws	75mm Long	-	5002HCS1275
	Zinc Plated Through Bolt	M12 x 100		162412
	Marano Slimline Post Touch Up Paint	-	Anthracite Grey RAL 7016	29PC400SA
	Fence Board Touch Up Paint	-	Basalt Grey RAL 7012	29PC400SAG
			Serengeti Sand RAL 1019	29PC400SS
			Light Sage RAL 7032	29PC400LS

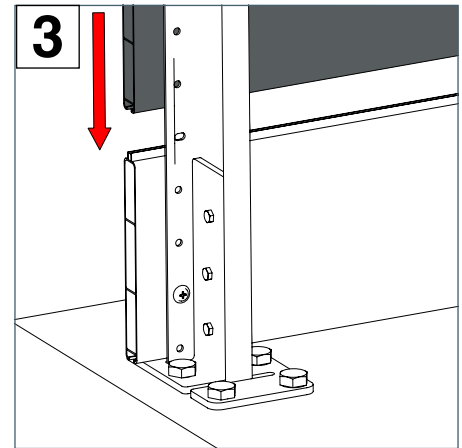
Description	Symbol	Information
Drill		Use 4mm drill bit to screw fence board to Slimline post. .
Aluminium Saw		Use a fine tooth aluminium saw with a clean, sharp blade if you wish to cut the boards to length.
Sealant		Fix top caps and angles to fence boards.
Bolt-Down		4 x M12 bolts required to fix each bolt-down post - see number 11 for depending on terrain.
Concrete-In		Place 600mm into the ground.



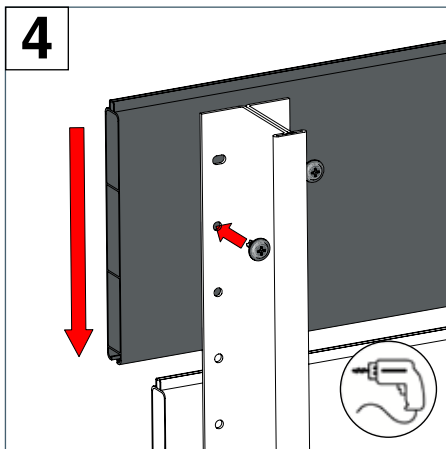
1 Bolt Down Option. Allow post centres of 1800mm.



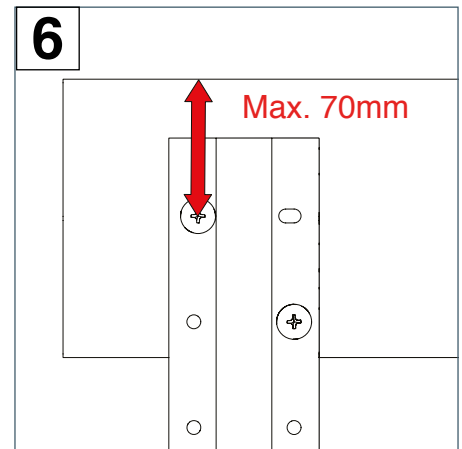
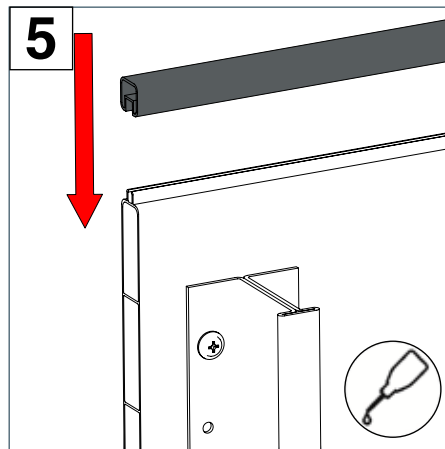
2 Concrete-In Option. Allow post centres of 1800mm.



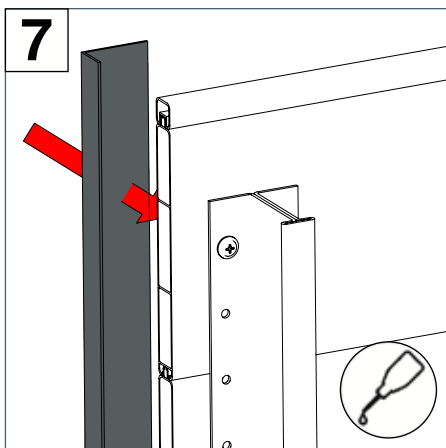
3 Pattern with the next aluminium board.



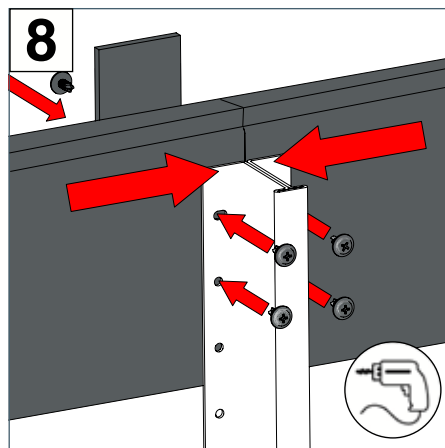
4 Fix top board to the top of the Slimline post.



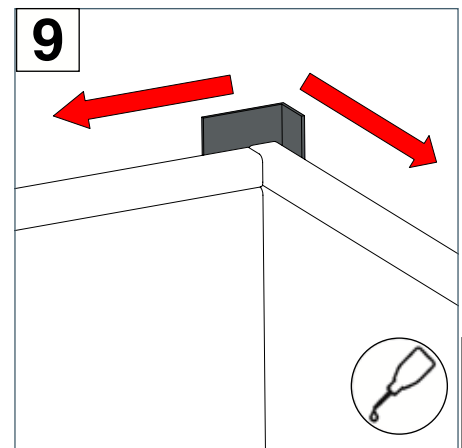
6 Allow no more than 70mm from the top of the fence to the screw centre.



7 Add aluminium angle to end if required.

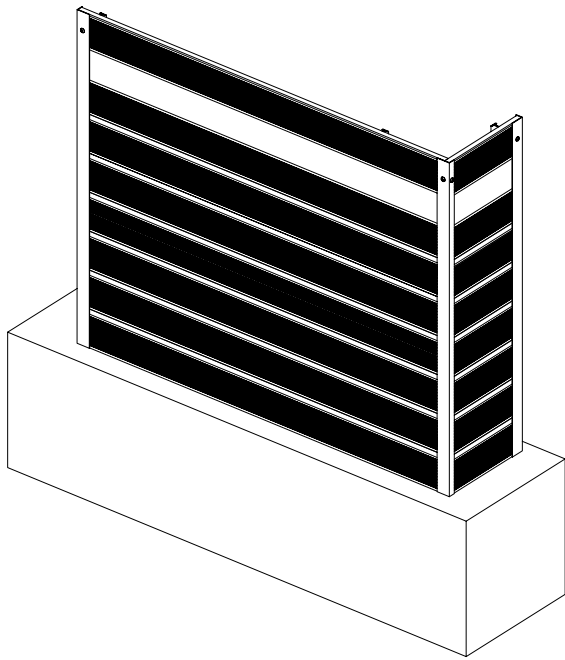


8 Join boards in the middle of a post using 4 x screws to connect boards. Optional: fix flat bar to front of join with screws.

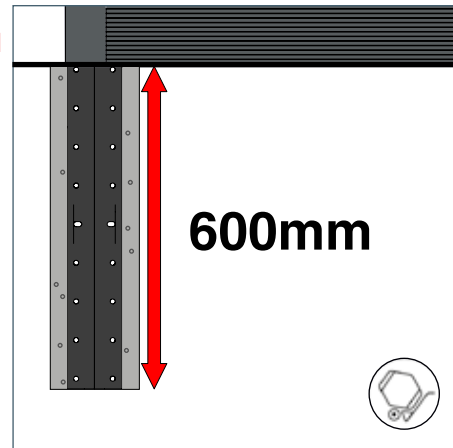


9 Create a corner by using aluminium.

Concrete-In Posts

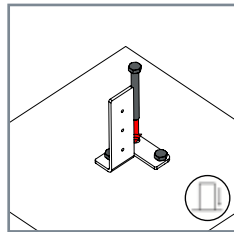
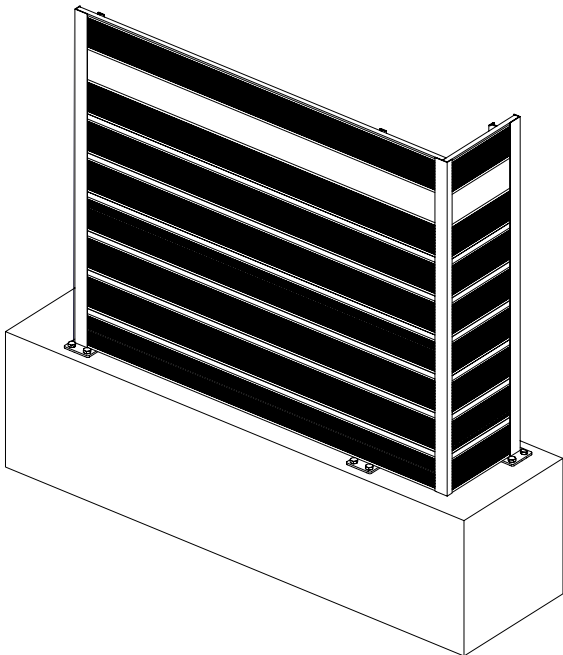


Ground Level

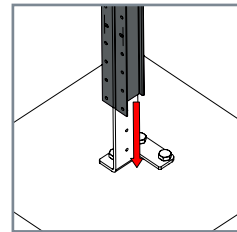


Overall Height mm	Ground Clearance mm	Concrete-In mm	Post Size H x W x D mm	Code
1210	10	600	1800 x 48 x 51	76DP12iA or 76DP12i
1810	10	600	2400 x 48 x 51	76DP18iA or 76DP18i

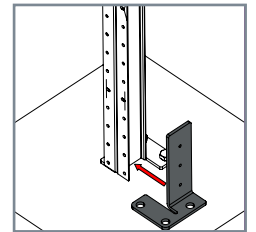
Bolt-Down Posts



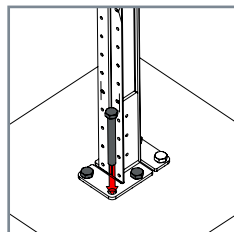
Position one half of bolt-down foot in the desired placement and fix down.



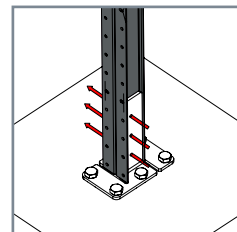
Place post up to one half of the foot.



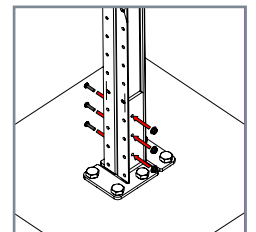
Move second half of bolt-down foot into position up to the post.



Fix to floor using the appropriate fixing.



Drill through the post, using the holes in base foot as a guide



Fix the post to the foot with the supplied nuts and bolts.

Overall Fence Height mm	Ground Clearance mm	Post Size H x W x D mm	Code
1810	10	1800 x 48 x 51	76DP18iA or 76DP18i

*Bolt-down foot is not recommended for fence heights over 1.2m. Posts can easily be cut to size on site.

Please note: Post centre measurements are shown as a guide only. Whilst we do our best to advise and guide, it remains the installers responsibility to ensure the final installation complies with any current building regulations and is securely installed. As we have no knowledge of the location, ground type, or the layout of your system, we would always advise customers to consider these factors and adjust as appropriate.