

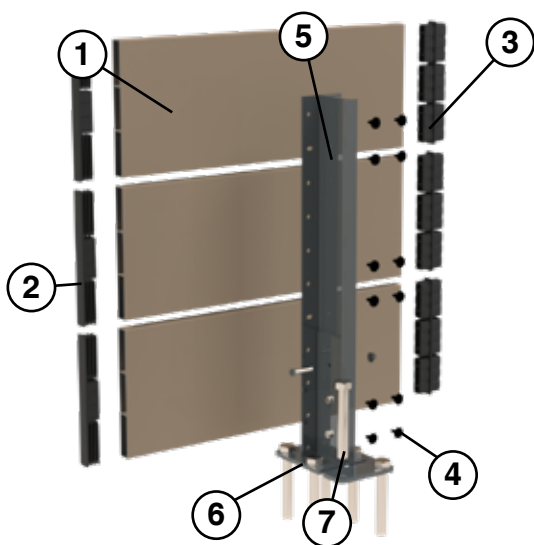
# Parallel Installation Instructions



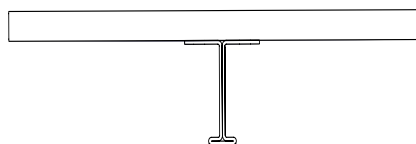
MARANO®

LIGHT · STYLE · VISION

Fully modular aluminium fencing system





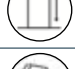



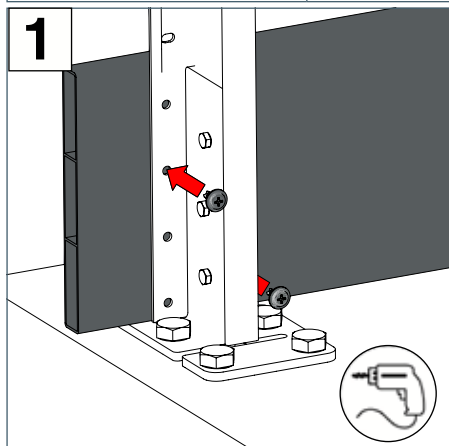
Plan View



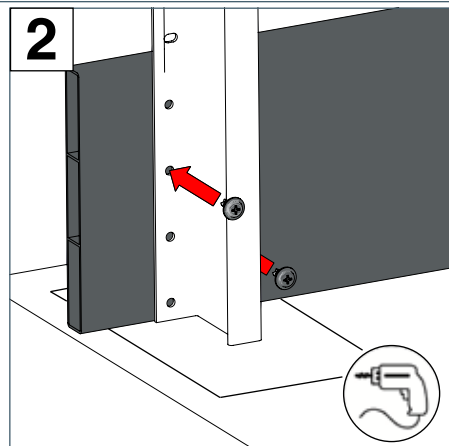
ID	Description	Size mm	Colour	Code
1	6m Long Aluminium Board	6000 x 150 x 15	Raw Finish	<b>76S005R</b>
			Basalt Grey RAL 7012	<b>76S005A</b>
			Oak Wood Effect	<b>76S005O</b>
			Serengeti Sand RAL 1019	<b>76S005SS</b>
			Light Sage RAL 7032	<b>76S005LS</b>
2	Marano Black Plastic End Caps	150 x 15	Black RAL 9005	<b>76S005CB</b>
3	Marano Black Plastic In Line Connector	150 x 15	Black RAL 9005	<b>76S005iB</b>
4	Screws for Fixing Boards - BZP (x 100)	4.2 x 12	Black Dacromet	<b>76SS4212DB</b>
5	1.8m Slimline Post for 1.2m (Concrete-In) and 1.8m (Bolt Down) Fence	1800 x 48 x 51	Anthracite Grey RAL 7016	<b>76DSPC18A</b>
			Galvanized	<b>76DSPC18G</b>
	2.4m Slimline Post for 1.8m (Concrete-In)	2400 x 48 x 51	Anthracite Grey RAL 7016	<b>76DSPC24A</b>
			Galvanized	<b>76DSPC24G</b>
6	Bolt Down Feet (with nuts and bolts)	-	Anthracite Grey RAL 7016	<b>76DSPC18A</b>
			Galvanized	<b>76DSPC18G</b>
7	Concrete Screws	75mm Long	-	<b>5002HCS1275</b>
	Zinc Plated Through Bolt	M12 x 100		<b>162412</b>
	Flat Bar - 1.8m	50 x 5	Black Gloss	<b>66FB50518</b>
	Marano Slimline Post Touch Up Paint	-	Anthracite Grey RAL 7016	<b>29PC400SA</b>
	Fence Board Touch Up Paint	-	Basalt Grey RAL 7012	<b>29PC400SAG</b>
			Serengeti Sand RAL 1019	<b>29PC400SS</b>
			Light Sage RAL 7032	<b>29PC400LS</b>



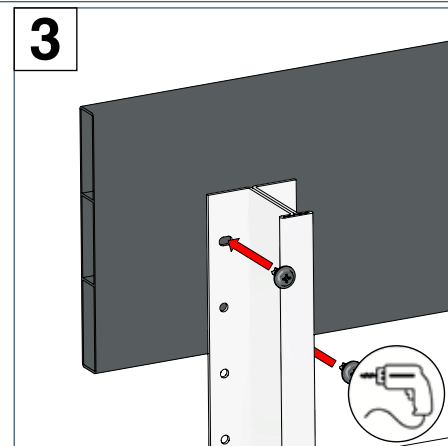
Description	Symbol	Information
Drill		Use 4mm drill bit to screw fence board to Slimline post. .
Aluminium Saw		Use a fine tooth aluminium saw with a clean, sharp blade if you wish to cut the boards to length.
Sealant		Fix top caps and angles to fence boards.
Rubber Mallet		Use a rubber mallet for securing slats on top of each other and the top cap onto the last slat
Bolt-Down		4 x M12 bolts required to fix each bolt-down post - see number 11 for depending on terrain.
Concrete-In		Place 600mm into the ground.



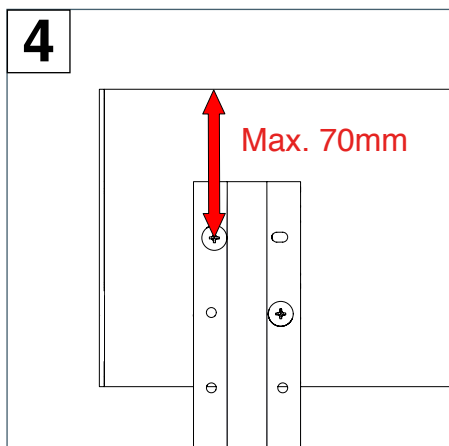
**1** Bolt Down Option. Allow post centres of 1800mm.



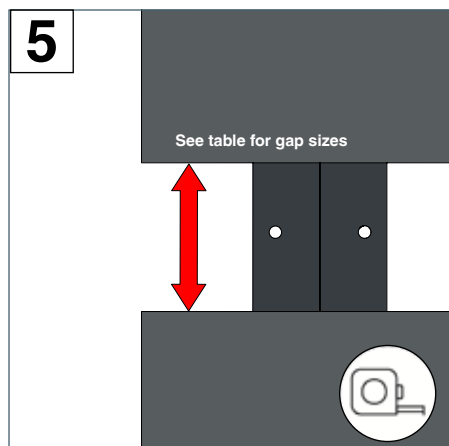
**2** Concrete-In Option. Allow post centres of 1800mm.



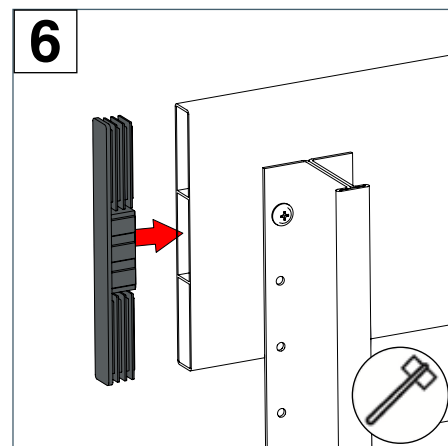
**3** Fix top board to the top of the Slimline post



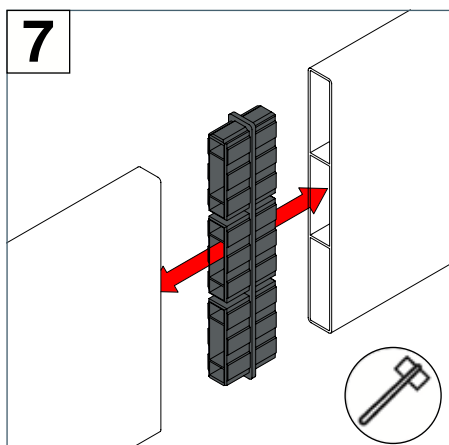
**4** Allow no more than 70mm from the top of the fence to the screw centre.



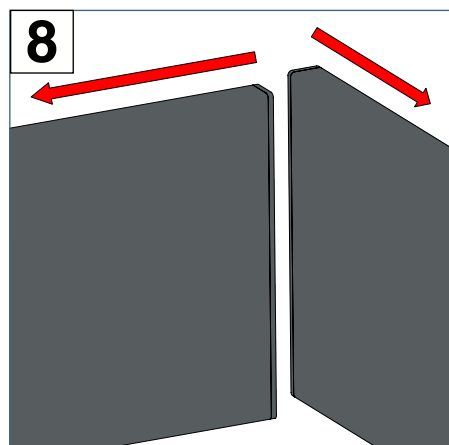
**5** Choose distance between fence boards and fix next board to post.



**6** Use rubber mallet to fit the end cap at the end of a run.



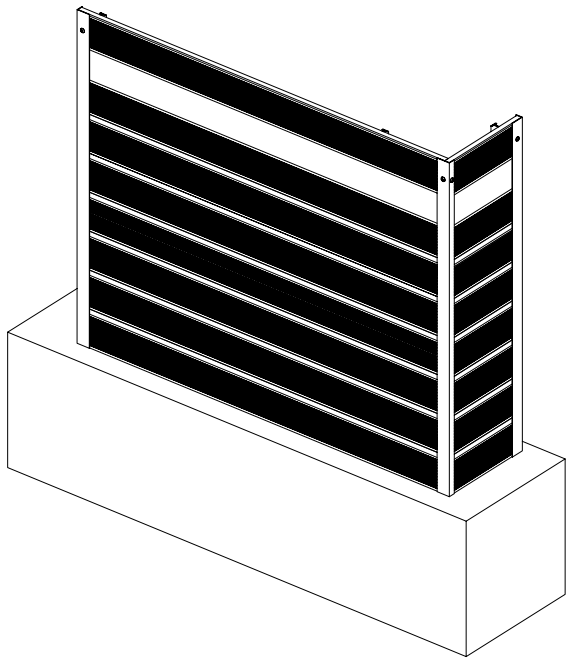
**7** Use a rubber mallet to connect two boards together with inline connector



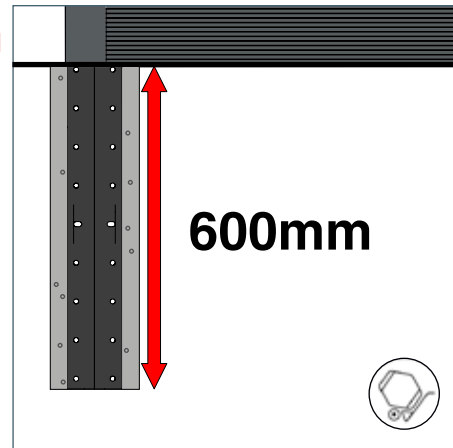
**8** Create a corner by overlapping one board in front of the other.

Target Height	No. of Boards	No. of Gaps	Size of Gap	Actual Height for Fence
1200	7	6	25	1200
	6	5	60	1200
	5	4	110	1230
1800	12	11	0	1800
	11	10	15	1800
	10	9	35	1815
	9	8	60	1830
	8	7	90	1830
	7	6	130	1830

Concrete-In Posts

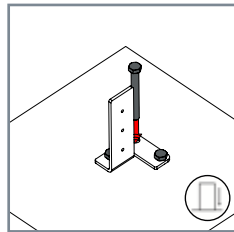
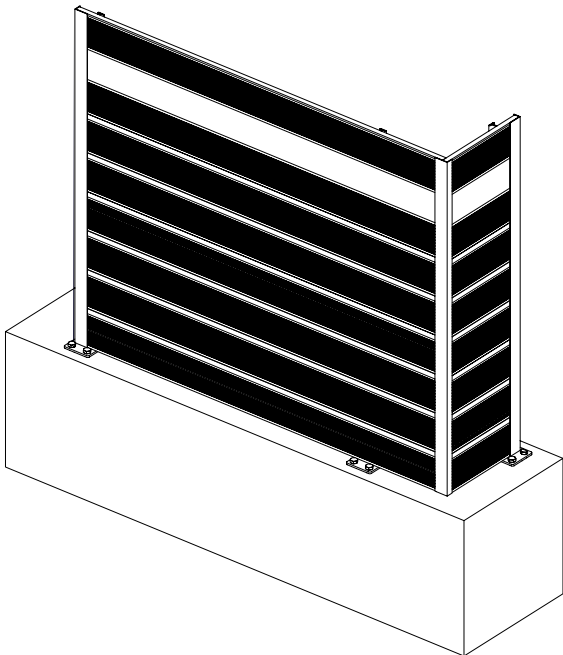


Ground Level

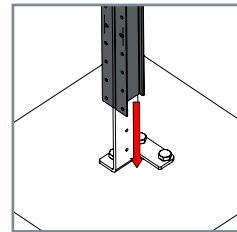


Overall Height mm	Ground Clearance mm	Concrete-In mm	Post Size H x W x D mm	Code
1210	10	600	1800 x 48 x 51	<b>76DP12iA or 76DP12i</b>
1810	10	600	2400 x 48 x 51	<b>76DP18iA or 76DP18i</b>

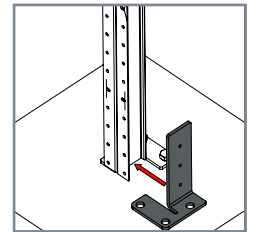
Bolt-Down Posts



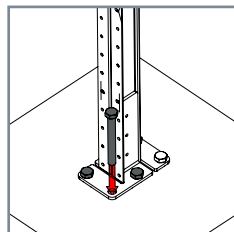
Position one half of bolt-down foot in the desired placement and fix down.



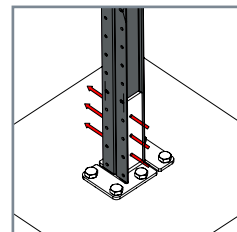
Place post up to one half of the foot.



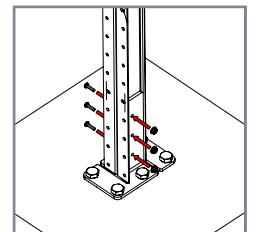
Move second half of bolt-down foot into position up to the post.



Fix to floor using the appropriate fixing.



Drill through the post, using the holes in base foot as a guide



Fix the post to the foot with the supplied nuts and bolts.

Overall Fence Height mm	Ground Clearance mm	Post Size H x W x D mm	Code
1810	10	1800 x 48 x 51	<b>76DP18iA or 76DP18i</b>

\*Bolt-down foot is not recommended for fence heights over 1.2m. Posts can easily be cut to size on site.

**Please note:** Post centre measurements are shown as a guide only. Whilst we do our best to advise and guide, it remains the installers responsibility to ensure the final installation complies with any current building regulations and is securely installed. As we have no knowledge of the location, ground type, or the layout of your system, we would always advise customers to consider these factors and adjust as appropriate.